

VF-EFi XX 40cm Hazardous Area Fan/Ventilator



Product Overview

Wolf Safety is the UK distributor for Ranfan™, the worldwide market leading manufacturer of fans and ventilators for hazard areas.

The 40cm VF-EFi50xx, VF-EFi120xx and VF-EFi150xx fans are the largest in the range and produce a class leading airflow of up to 4,459 cfm (7,580 m³/hr). Each fan is stackable, which enables a combination of units to further increase the airflow if required, as well as reducing the space needed for storage.

The fans are ATEX & IECEx certified for use in zone 1 and have an IP55 rating.

The 2 duct adapters allow the attachment of different ducting as required.

IMPA codes

591507

Features & Benefits

- ATEX and IECEx certified for use in Zone 1
- Class leading airflow of up to 4,459 cfm (7,580 m³/hr)
- Durable, PC/ABS anti-static casing which is:
 - weatherproof
 - flame retardant
 - chemical resistant
- IP55 water tight rain tested switch enclosure
- Voltage range - 115V/230V

Certifications



Technical Specification

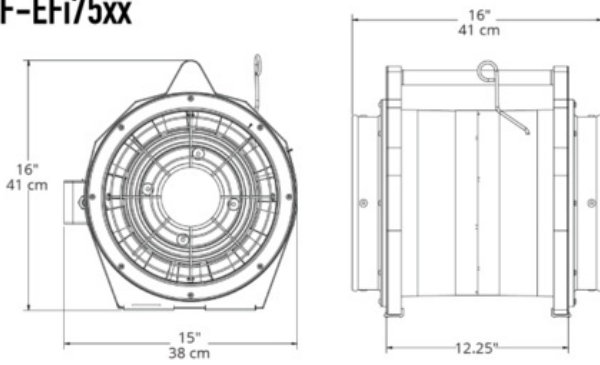
Product Reference	VF-EFi50xx (115/230V)	VF-EFi120xx (110/240V)	VF-EFi150xx (115/230V)
Product Description	40cm Hazardous Area Fan / Ventilator		
Code	II 2 G EX de IIB T6 Gb		
Type of Protection	'de' flameproof		
Area of Class (Gas)	Zones 1 and 2, Gas Groups IIA and IIB		
Max Surface Temp (Gas)	T6		
Ambient Temp. (Gas)	-30°C TO +40°C		
Certificate	DEMKO 09 ATEX 0926969X IECEX 13.0062X		
Enclosure	Anti-static Polycarbonate ABS Alloy		
Motor	0.5 Hp (0.3.7 kW)	1.2 HP (0.9 kW)	1.5 Hp (1.1 kW)
Power	115V/230V 1Ø 50/60Hz	110/240V 1Ø 50	115V/230V 1Ø 50/60Hz
Amps:Start	115V: 21A 230V: 10A	110V: 54A 240V: 27A	115V: 80A 230V: 40A
Amps: Run	115V: 6A 230V: 3A	110V: 10A 240V: 5A	115V: 15A 230V: 8A
Airflow - Free Air	3,200 cfm (5,440 m³/hr)	3,750 cfm (6,365 m³/hr)	4,459 cfm (7,580 m³/hr)
Airflow - Through Duct: 4.6m wit one 90° turn:	1,935 cfm (3,289 m³/hr)	2,700 cfm (4,590 m³/hr)	3,179 cfm (5,404 m³/hr)
Ingress Protection	IP55		
Dimensions (h/w/d)	48 x 46 x 41 cm		
Weight	22kg	25kg	28kg

Duct Adapters	2		
Noise	90.2 dB @ 1m	86.1 dB @ 1m	90.2 dB @ 1m

*Values are shown for single-stage piston-type air compressors operating at 85% efficiency, and working on intake air under standard conditions.

Product Dimensions

VF-EFi75xx



Version: SL092 DF512 Issue 1

Wolf[®]

Wolf Safety Lamp Company, Saxon Road Works, Sheffield, S8 0YA, UK

- T: +44 (0) 114 255 1051 • F: +44 (0) 114 255 7988
- E: info@wolfsafety.com • www.wolfsafety.com

